



1、技术参数 Technical Data Sheet

1.1 R134a - LBP

型号 Model	电源 Power supply (V/Hz)	汽缸容积 Displacement (cm ³)	制冷量 Cooling Capacity (W)	COP (W/W)	电机类型 Motor Type	认证 Certification
B Series						
B22H	220~240/50	2.2	47	0.72	RSIR	CB KC
	220~240/60		54	0.80	RSIR	
B22HL	220~240/50	2.2	47	0.85	RSIR	CCC CB
	220~240/60		54	1.00	RSIR	
B22H5	110~120/60	2.2	54	0.80	RSIR	UL CUL
B22H5L	110~120/60	2.2	54	0.90	RSIR	UL CUL
B25H	220~240/50	2.6	55	0.85	RSIR	CCC VDE CB INMETRO
	220~240/60		63	0.94	RSIR	
B25H0	100/60	2.6	63	0.90	RSIR	
B25H5	110~115/60	2.6	63	0.88	RSIR	UL CUL
			63	1.10	RSCR	
			63	1.25	RSCR	
B25H5B	110~115/60	2.6	63	1.00	RSIR	UL CUL
			63	1.10	RSCR	
			63	1.25	RSCR	
B25H5L	110~120/60	2.6	63	0.95	RSIR	UL CUL
			63	1.10	RSIR	
			63	1.20	RSCR	
B25H7	127/60	2.6	63	0.90	RSIR	INMETRO
B30H	220~240/50	3.1	70	0.88	RSIR	CCC VDE CB
	220~240/60		80	0.98	RSIR	
B30H0	100/60	3.1	80	0.90	RSIR	
B30H5	110~115/60	3.1	80	0.98	RSIR	UL CUL
			80	1.15	RSCR	
			80	1.25	RSCR	
B30H7	127/60	3.1	80	1.05	RSIR	CE
B35H	220~240/50	3.5	79	0.90	RSIR	
	220~240/60		90	0.95	RSIR	
B38H	220~240/50	3.8	86	0.95	RSIR	CCC VDE CB INMETRO
	220~240/60		97	1.10	RSIR	
B38H5	110~115/60	3.8	97	1.10	RSIR	UL CUL
	110~115/60		97	1.30	RSCR	
B38H7	127/60	3.8	97	1.10	RSIR	INMETRO
B43H	220~240/50	4.3	97	0.95	RSIR	CCC VDE CB
	220~240/60		110	1.10	RSIR	
B43HB	220~240/50	4.3	97	1.25	RSCR	
	220~240/60		110	1.40	RSCR	
B43H5	110~115/60	4.3	110	1.10	RSIR	UL CUL
B43H5L	110~120/60	4.3	110	1.10	RSIR	UL CUL
B48H	220~240/50	4.8	110	1.05	RSIR	
B52HL	220~240/50	5.2	130	1.00	RSIR	



HUAYI COMPRESSOR (JINGZHOU) CO., LTD.
产品样本 PRODUCT SPECIFICATION 2017

L Series						
L22HL	220~240/50	2.2	47	0.80	RSIR	CCC CB
	220~240/60	2.2	55	0.95	RSIR	INMETRO
L22H5	110-120/60	2.2	55	0.80	RSIR	UL CUL
L22H5L	110-120/60	2.2	55	0.90	RSIR	
L22H7L	127/60	2.2	55	0.90	RSIR	INMETRO
L25H	220~240/50	2.6	55	0.85	RSIR	
	220~240/60		61	0.90		
L25H5	110-120/60	2.6	61	0.90	RSIR	
L25H5L	110-120/60	2.6	61	0.90	RSIR	
L30H	220~240/50	3.1	67	0.90	RSIR	CB
L30HL	220~240/50	3.1	67	0.90	RSIR	CCC VDE CB
	220~240/60		75	1.00	RSIR	
L30H5L	110-120/60	3.1	75	1.00	RSIR	UL CUL
L30H5	110-120/60	3.1	75	1.00	RSIR	UL CUL

“*” 标识表示待开发产品，“.....” 标识表示认证中项目。

测试工况 Test conditions	按ASHRAE 标准According to ASHRAE
蒸发温度Evaporating temperature	-23.3℃
冷凝温度Condensing temperature	54.4℃
过冷温度Subcooling temperature	32.2℃
吸气温度Suction temperature	32.2℃
环境温度Ambient temperature	32.2℃

使用工况范围及极限Working condition limit :R134a

最大环境温度Max ambient temperature	43[℃]
蒸发温度范围Evaporation temperature range	-35~-15[℃]
工作电压范围Working voltage range	187~242[V]
最大排气压力Max discharge pressure	1.79[Mpa] 表压 gauge pressure
最大允许壳温Max allowable housing temperature	95[℃]
最大排气温度Max discharge temperature	130[℃]
机壳最大承受压力max pressure housing endured	3.5 [Mpa] 表压 gauge pressure
低电压启动性能 Low voltage start	0.4/0.4Mpa(表压 gauge pressure)187V

1.2 R600a - LBP

型号 Model	电源 Power supply (V/Hz)	汽缸容积 Displacement (cm ³)	制冷量 Cooling Capacity(W)	COP (W/W)	电机类型 Motor Type	认证 Certification
B Series						
B30C	220~240/50	3.1	50	1.05	RSIR	
	220~240/60		58	1.15	RSIR	
B35C	220~240/50	3.5	56	1.05	RSIR	CCC VDE CB
	220~240/60		63	1.20	RSIR	



HUAYI COMPRESSOR (JINGZHOU) CO., LTD.
 产品样本 PRODUCT SPECIFICATION 2017

	220~240/50		56	1.25	RSIR	
	220~240/60		63	1.35	RSIR	
	220~240/50		56	1.35	RSCR	
B35CA	220~240/50	3.5	56	1.35	RSCR	CCC VDE CB
B35C5B	110~115/60	3.5	65	1.25	RSIR	UL CUL
			65	1.35	RSIR	
B35C5BL	110~120/60	3.5	65	1.45	RSCR	UL CUL
B43CB	220~240/50	4.3	68	1.05	RSIR	CCC VDE CB
	220~240/60		78	1.15	RSIR	
	220~240/50		68	1.25	RSCR	
	220~240/60		78	1.35	RSCR	
	220~240/50		68	1.40	RSCR	
B43C0	100/50~60	4.3	78	1.25	RSIR	
B43C5B	110~115/60	4.3	78	1.25	RSIR	UL CUL
			78	1.35	RSIR	
B43C5B	127/60	4.3	78	1.30	RSIR	CB
B43C5BL	110~120/60	4.3	78	1.45	RSCR	UL CUL
B52C	220~240/50	5.2	78	1.10	RSIR	CCC VDE CB
			78	1.25	RSIR	
			78	1.40	RSCR	
B52CL	220~240/50	5.2	78	1.25	RSIR	CCC VDE CB
	220~240/60		95	1.25	RSIR	
B52C5BL	110~120/60	5.2	95	1.40	RSCR	UL CUL
B52C0	100/50~60	5.2	95	1.25	RSIR	
B60CB	220~240/50	6.0	95	1.15	RSIR	CCC VDE CB
			95	1.25	RSIR	
			95	1.35	RSIR	
			95	1.45	RSCR	
B60CBL	220~240/50	6.0	95	1.30	RSIR	CCC VDE CB
			95	1.40	RSCR	
			95	1.55	RSCR	
	220~240/60		110	1.40	RSIR	CCC VDE
B60C5BL	110~120/60	6.0	110	1.30	RSIR	UL CUL
	110~120/60		110	1.40	RSCR	
B65CL	220~240/50	6.5	100	1.25	RSIR	
			100	1.45	RSCR	
L Series						
L22CL	220~240/50	2.2	30	0.85	RSIR	CCC VDE CB
L22C5L	110~120/60	2.2	40	1.20	RSIR	UL CUL
L30CL	220~240~50	3.1	50	1.10	RSIR	CCC CB
	220~240~60		55	1.20	RSIR	
L35CL	220~240/50	3.5	55	1.00	RSIR	CCC VDE CB
			55	1.15	RSIR	
			55	1.25	RSCR	
L35C5L	110~120/60	3.5	65	1.25	RSIR	UL CUL
			65	1.40	RSCR	
L35C0L	100/50~60	3.1	60	1.25	RSIR	



HUAYI COMPRESSOR (JINGZHOU) CO., LTD.
产品样本 PRODUCT SPECIFICATION 2017

L35C7L	127/60	3.5	65	1.25	RSIR	CB
L40CL	220~240/50	4.0	65	1.10	RSIR	
L40C5L	110-120/60	4.0	78	1.30	RSIR	
L48C5L	110-120/60	4.8	75	1.00	RSIR	UL CUL
L52CL	220~240/50	5.2	67	0.90	RSIR	CCC VDE CB
L60CL	220~240/50	6.0	95	1.15	RSIR	

“*” 标识表示待开发产品，“……” 标识表示认证中项目。

测试工况 Test conditions	按ASHRAE 标准According to ASHRAE
蒸发温度Evaporating temperature	-23.3℃
冷凝温度Condensing temperature	54.4℃
过冷温度Subcooling temperature	32.2℃
吸气温度Suction temperature	32.2℃
环境温度Ambient temperature	32.2℃

使用工况范围及极限 Working condition limit :R600a

最大环境温度Max ambient temperature	43[℃]
蒸发温度范围Evaporation temperature range	-35~-15[℃]
工作电压范围Working voltage range	187~242[V]
最大排气压力Max discharge pressure	0.98[Mpa] (表压 gauge pressure)
最大允许壳温Max allowable housing temperature	95[℃]
最大排气温度Max discharge temperature	130[℃]
机壳最大承受压力max pressure housing endured	3.5 [Mpa] (表压 gauge pressure)
低电压启动性能 Low voltage start	0.25/0.25Mpa(表压 gauge pressure) 187V

1.3 R134a - HBP

型号 Model	电源 Power supply (V/Hz)	汽缸容积 Displacement (cm ³)	制冷量 Cooling Capacity(W)	COP (W/W)	电机类型 Motor Type	认证 Certification
B Series						
B22G	220~240/50	2.2	185	1.80	RSIR	
B22G5	110~115/60	2.2	225	1.80	RSIR	
B25G	220~240/50	2.6	220	1.80	RSIR	
B25G5	110~115/60	2.6	265	1.80	RSIR	
B30G	220~240/50	3.1	260	1.80	RSIR/CSIR	VDE
	220~240/60	3.1	300	1.90	RSIR/CSIR	
B30G5	110~115/60	3.1	315	1.80	RSIR	
B35G5	110~120/60Hz	3.5	360	2.00	CSIR	
B38G	220~240/50	3.8	350	2.10	CSIR	CE
B43GL	220~240/50	4.3	400	1.80	RSIR	CCC CB VDE

测试工况 Test conditions	按ASHRAE 标准According to ASHRAE
蒸发温度Evaporating temperature	7.2℃
冷凝温度Condensing temperature	54.4℃



HUAYI COMPRESSOR (JINGZHOU) CO., LTD.
产品样本 PRODUCT SPECIFICATION 2017

过冷温度Subcooling temperature	46.1℃
吸气温度Suction temperature	35℃
环境温度Ambient temperature	35℃

使用工况范围及极限Working condition limit :R134a HBP

最大环境温度Max ambient temperature	43[℃]
蒸发温度范围Evaporation temperature range	-5~15[℃]
工作电压范围Working voltage range	187~242[V]
最大排气压力Max discharge pressure	1.79[Mpa] (表压 gauge pressure)
最大允许壳温Max allowable housing temperature	95[℃]
最大排气温度Max discharge temperature	130[℃]
机壳最大承受压力max pressure housing endured	3.5 [Mpa] (表压 gauge pressure)
低电压启动性能 Low voltage start	0.55/0.55Mpa(表压 gauge pressure) 187V

1.4 R290—LBP

型号Model	电源 Power supply (V/Hz)	汽缸容积 Displacement (cm ³)	制冷量 Cooling Capacity(W)	COP (W/W)	电机类型 Motor Type	认证 Certification
B Series						
B25U	220~240/50	2.6	105	1.30	RSIR	
B25BU	220~240/50	2.6	105	1.50	RSCR	
B30U5	110~120/60	3.1	150	1.30	RSIR/CSIR	
B35U	220~240/50	3.5	145	1.30	RSIR	
B35BU	220~240/50	3.5	145	1.55	RCSR	
B43U	220~240/50	4.3	180	1.30	RSIR	
B43BU	220~240/50	4.3	180	1.55	RCSR	

测试工况 Test conditions	按ASHRAE 标准According to ASHRAE
蒸发温度Evaporating temperature	-23.3℃
冷凝温度Condensing temperature	54.4℃
过冷温度Subcooling temperature	32.2℃
吸气温度Suction temperature	32.2℃
环境温度Ambient temperature	32.2℃

使用工况范围及极限Working condition limit: R290

最大环境温度Max ambient temperature	43[℃]
蒸发温度范围Evaporation temperature range	-35~-15[℃]
工作电压范围Working voltage range	187~254[V]
最大排气压力Max discharge pressure	2.2[Mpa] (表压 gauge pressure)
最大允许壳温Max allowable housing temperature	95[℃]
最大排气温度Max discharge temperature	120[℃]



HUAYI COMPRESSOR (JINGZHOU) CO., LTD.
产品样本 PRODUCT SPECIFICATION 2017

机壳最大承受压力max pressure housing endured	3.5 [Mpa] (表压 gauge pressure)
低电压启动性能 Low voltage start	0.67/0.67Mpa(表压 gauge pressure) 187V

1.5 R290—HBP

型号Model	电源 Power supply (V/Hz)	汽缸容积 Displacement (cm ³)	制冷量 Cooling Capacity(W)	COP (W/W)	电机类型 Motor Type	认证 Certification
B Series						
B22N	220~240/50	2.2	265	2.20	CSIR	
B30N	220~240/50	3.1	380	2.40	CSIR	CCC VDE

测试工况 Test conditions	按ASHRAE 标准According to ASHRAE
蒸发温度Evaporating temperature	7.2℃
冷凝温度Condensing temperature	54.4℃
过冷温度Subcooling temperature	46.1℃
吸气温度Suction temperature	35℃
环境温度Ambient temperature	35℃

使用工况范围及极限Working condition limit: R290

最大环境温度Max ambient temperature	43[℃]
蒸发温度范围Evaporation temperature range	-5~15[℃]
工作电压范围Working voltage range	187~252[V]
最大排气压力Max discharge pressure	2.2[Mpa] (表压 gauge pressure)
最大允许壳温Max allowable housing temperature	95[℃]
最大排气温度Max discharge temperature	120[℃]
机壳最大承受压力max pressure housing endured	3.5 [Mpa] (表压 gauge pressure)
低电压启动性能 Low voltage start	0.97/0.97Mpa(表压 gauge pressure) 187V

1.6 车载直流压缩机 (R134a)

型号Model	电源 Power supply (V/rpm)	汽缸容积 Displacement (cm ³)	制冷量 Cooling Capacity(W)	COP (W/W)	电机类型 Motor Type	认证 Certification
DL Series						
DL25H	12~24/2500	2.6	50	1.15	BLDC	
	12~24/3500		70	1.25		
DL30H	12~24/2500	3.1	60	1.25	BLDC	
	12~24/3500		80	1.20		

测试工况 Test conditions	按ASHRAE 标准According to ASHRAE
蒸发温度Evaporating temperature	-23.3℃



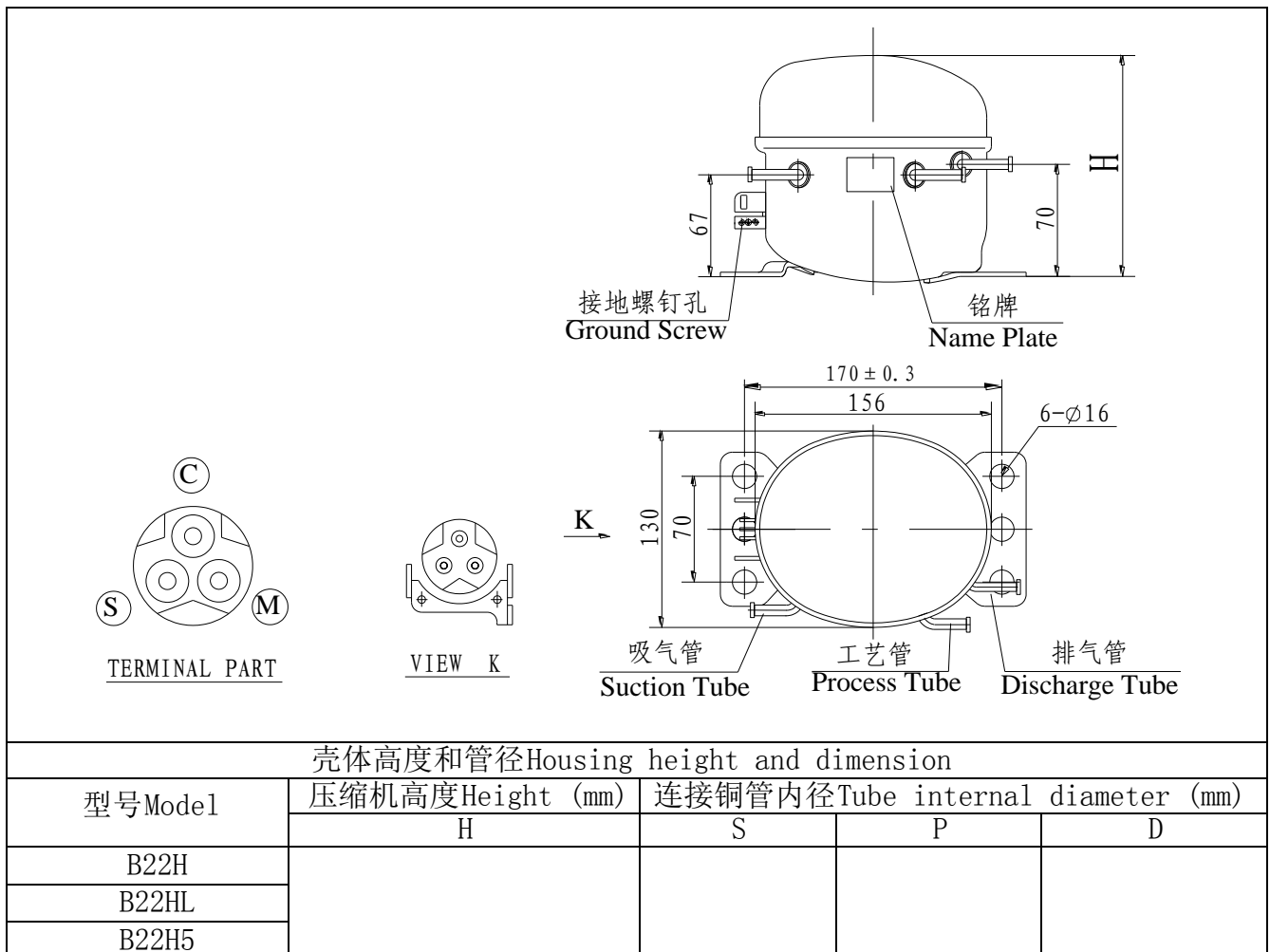
冷凝温度Condensing temperature	54.4℃
过冷温度Subcooling temperature	32.2℃
吸气温度Suction temperature	32.2℃
环境温度Ambient temperature	32.2℃

使用工况范围及极限Working condition limit: R134a

最大环境温度Max ambient temperature	43[℃]
蒸发温度范围Evaporation temperature range	-35~-15[℃]
工作电压范围Working voltage range	187~242[V]
最大排气压力Max discharge pressure	1.79[Mpa] 表压 gauge pressure
最大允许壳温Max allowable housing temperature	95[℃]
最大排气温度Max discharge temperature	130[℃]
机壳最大承受压力max pressure housing endured	3.5 [Mpa] 表压 gauge pressure
低电压启动性能 Low voltage start	0.4/0.4Mpa(表压 gauge pressure)187V

2、外形图External view

2.1 B 系列





HUAYI COMPRESSOR (JINGZHOU) CO., LTD.
 产品样本 PRODUCT SPECIFICATION 2017

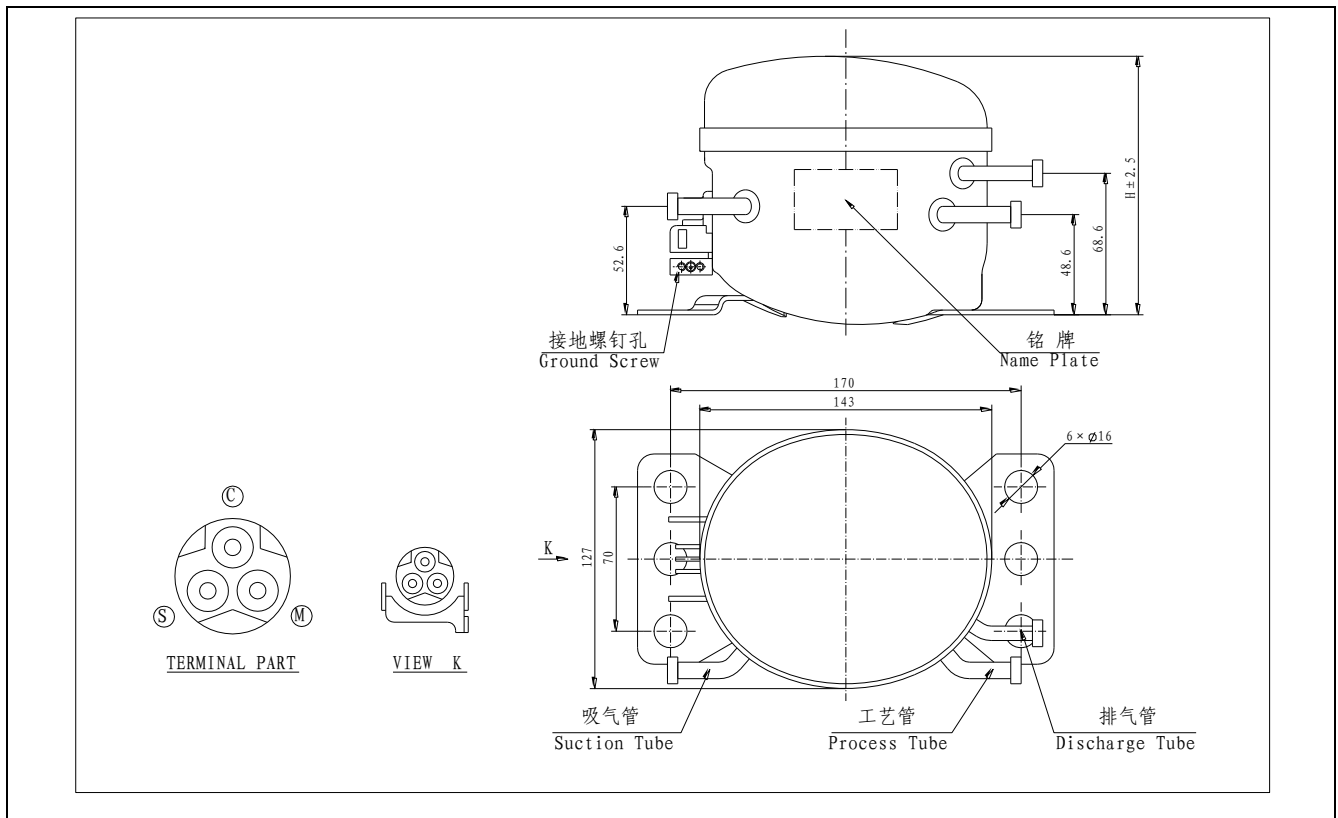
B22H5L	141±2.5	φ 6.1~ φ 6.2	φ 6.1~ φ 6.2	φ 4.9~ φ 5.0				
B30C								
B22G								
B22G5								
B25H								
B25H0								
B25H5								
B25H5B								
B25H7								
B35C								
B35C5B								
B43C0								
B43C5B								
B25U								
B30U5								
B35U								
B22N								
B25G					145±2.5			
B25GL								
B25G5								
B35C5BL								
B43C5BL								
B25H5L								
B30H								
B30H0								
B30H5								
B30H7								
B35H								
B35CA								
B38H								
B38H5								
B38G								
B35G5								
B43H								
B43HB								
B43H5								
B43H5L								
B43CB								
B48H								
B48H5								
B52C								
B52C5BL								
B52C0								
B30G								
B52CL								
B30G5								
B60CB								



HUAYI COMPRESSOR (JINGZHOU) CO., LTD.
产品样本 PRODUCT SPECIFICATION 2017

B60CBL				
B60C5BL				
B25BU				
B35BU				
B43U				
B43BU				
B30N				
B43GL	159±2.5	φ 6.1~ φ 6.2	φ 6.1~ φ 6.2	φ 4.9~ φ 5.0
B65CL				
S——吸气管 Suction tube	吸气管和工艺管不能互换 Connections on suction and process can not be inverted			
P——工艺管 Process tube				
D——排气管 Discharge tube				

2.2 L 系列



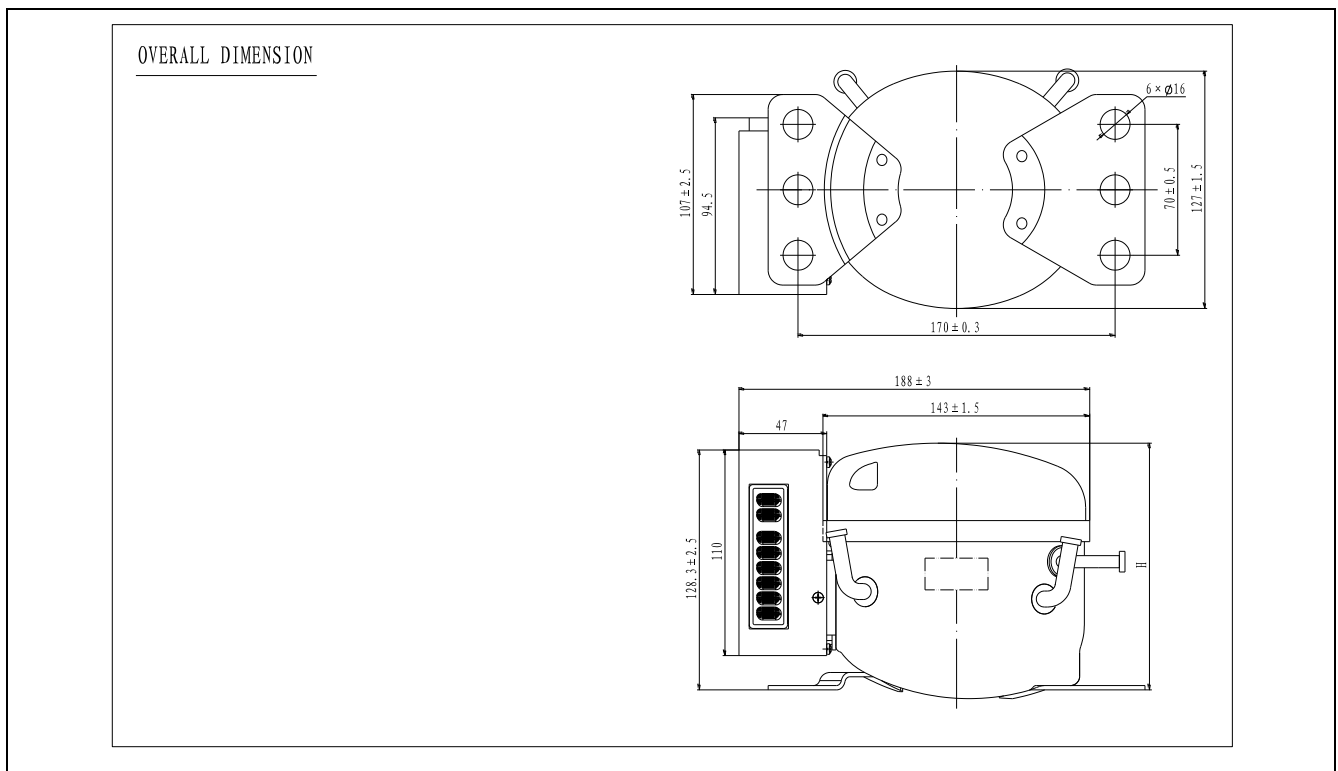
壳体高度和管径 Housing height and dimension

型号 Model	压缩机高度 Height (mm)			
	H	连接铜管内径 Tube internal diameter (mm)		
		S	P	D
L22HL	125±2.5	φ 6.1~ φ 6.2	φ 6.1~ φ 6.2	φ 4.9~ φ 5.0
L22CL				
L22H5				
L22H5L				
L22H7L				
L25H				
L25H5				
L22C5L				



L25H5L	129 ± 2.5			
L30CL				
L48C5L				
L52CL				
L30HL				
L30H				
L30H5L				
L30H5				
L35CL				
L35C5L				
L35C0L				
L35C7L				
L40CL				
L40C5L				
L60CL	141 ± 2.5			

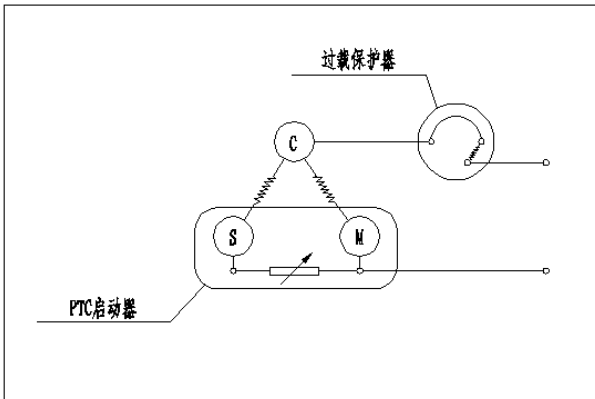
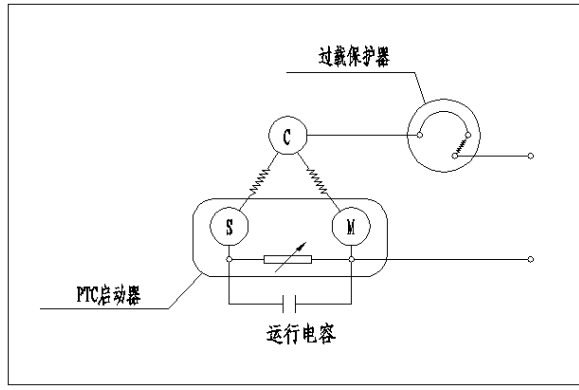
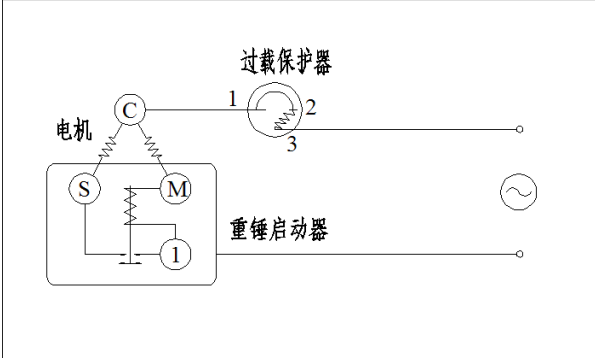
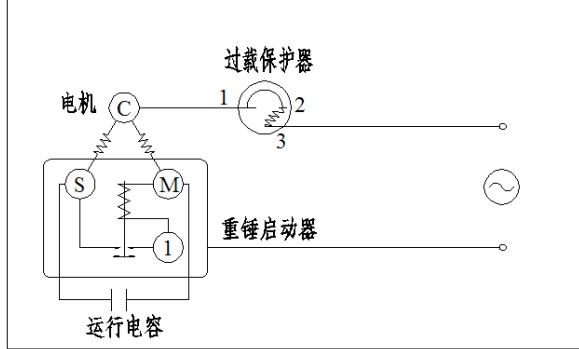
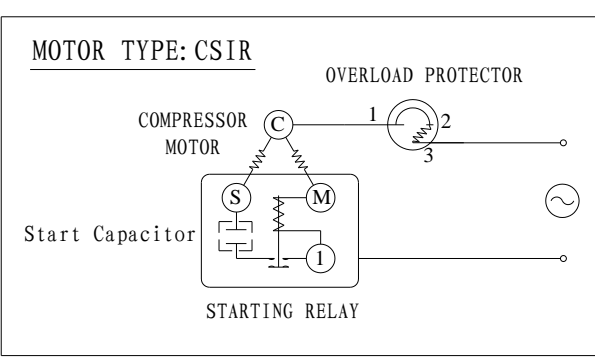
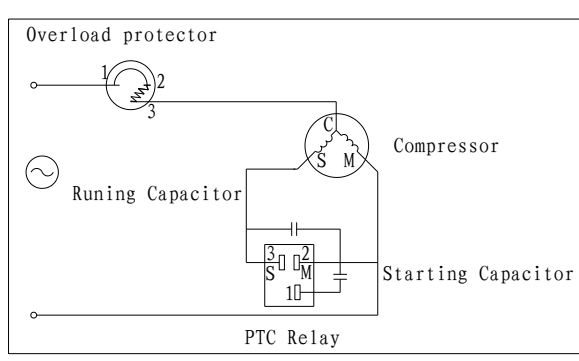
2.3 DL 直流压缩机系列



壳体高度和管径Housing height and dimension

型号Model	压缩机高度Height (mm)				连接铜管内径Tube internal diameter (mm)			
	H		S	P	D			
DL25H	132 ± 2.5		φ 6.1 ~ φ 6.2	φ 6.1 ~ φ 6.2	φ 4.9 ~ φ 5.0			
DL30H								

3、电器接线原理图 Electrical Diagram

<p>RSIR (PTC 启动器)</p>	<p>RSCR (PTC 启动器)</p>
	
<p>RSIR (重锤启动器)</p>	<p>RSCR (重锤启动器)</p>
	
<p>CSIR (重锤启动器)</p>	<p>CSR (PTC 启动器)</p>
<p>MOTOR TYPE: CSIR</p> 	
<p>C—公共 Commom S—启动 Start M—运行 Run</p>	

4、使用注意事项 Attention Items

4.1 请遵从包装箱上的运输警告，装卸过程中切勿翻滚包装箱。

Please follow the transportation warning marks on the package for layer limitation. Do not roll the whole packages when loading or unloading.



4.2 运输过程中请始终保持压缩机垂直，不能倒置，并尽量避免碰撞和振动。

Please keep the compressor always vertically and never upset it during transportation while avoiding any vibration and shock.

4.3 摔过的压缩机不能保证能正常工作。

Tumbled compressor cannot be guaranteed for norm operation.

4.4 压缩机存储期限为从生产日前开始的 6 个月，如果超过期限，请检查压缩机内的氮气压力，必要时重新充灌。

Storage expiry is 6 months from the date of production. If it expired, please check the nitrogen pressure inside compressor and recharge it when it is necessary.

4.5 拔出橡皮塞后，请在 5 分钟内将压缩机与制冷系统连接，建议先从排气管拔橡皮塞。

After pulling off rubber plugs from the compressor tubes, please connect the compressor to the refrigeration system within 5minutes. It is advisable to take off the first plug from discharge tube.

4.6 真空状态下压缩机不得加高电压测试或进行启动测试。

High voltage test or start test is not permitted under vacuum condition.

4.7 避免液态制冷剂回流压缩机。

Avoid liquid refrigerant flow into the compressor.

4.8 压缩机接地线应永久牢固的接地。

The earth connection should be fixed firmly.

4.9 压缩机运转时应保持水平，最大允许的倾斜角度为 5° 。

The compressor must be mounted horizontally without tilting an angle more than 5° .

4.10 压缩机停机后必须间隔 5 分钟才能再次启动。

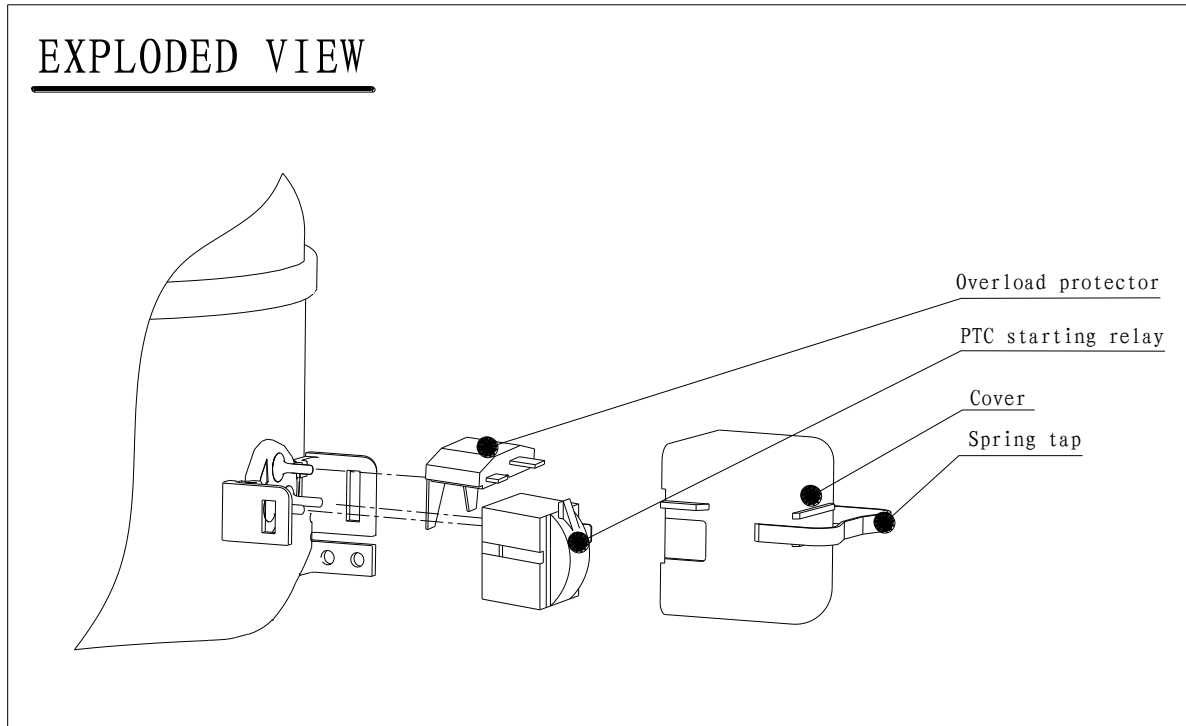
The compressor must not be restarted unless at an interval of more than 5 minutes.

4.11 压缩机不得使用防冻剂和其它非规定油品。

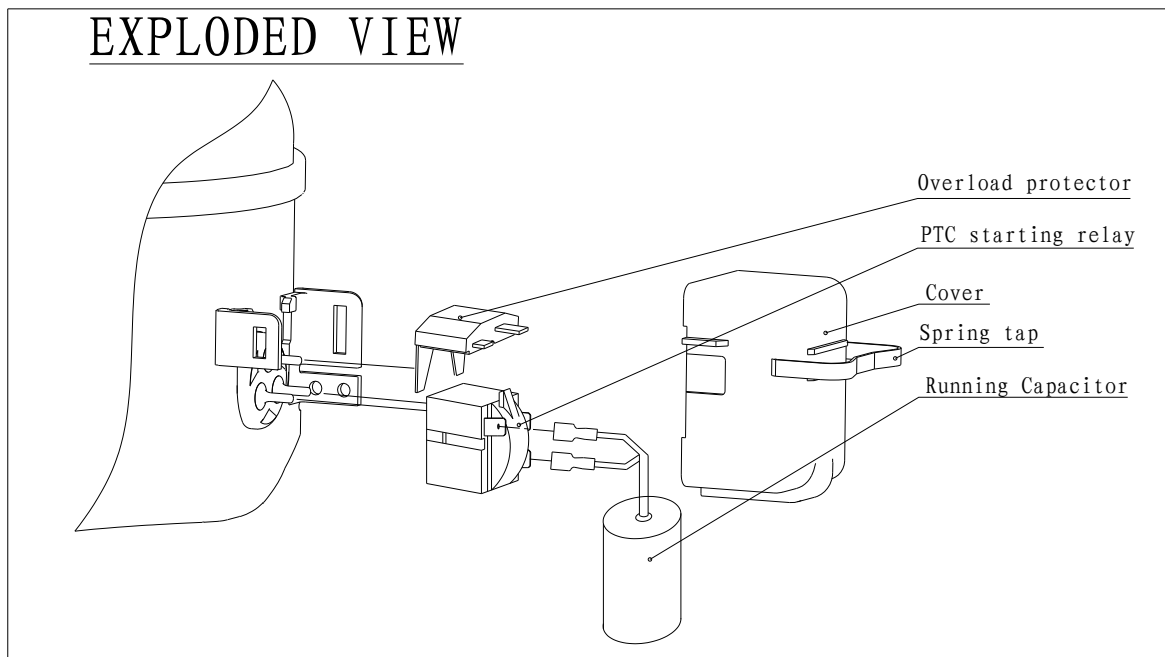
Antifreeze and other unspecified oil is not allowed to use in compressor.

5、接线示意图 Accessories and Assembly

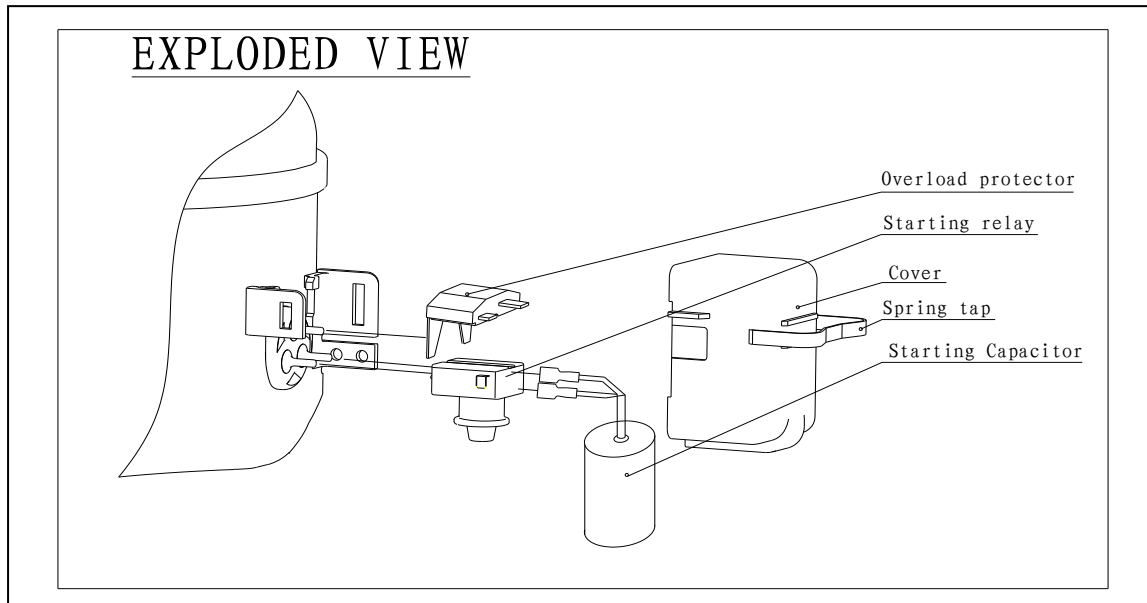
5.1 RSIR 方式接线示意图



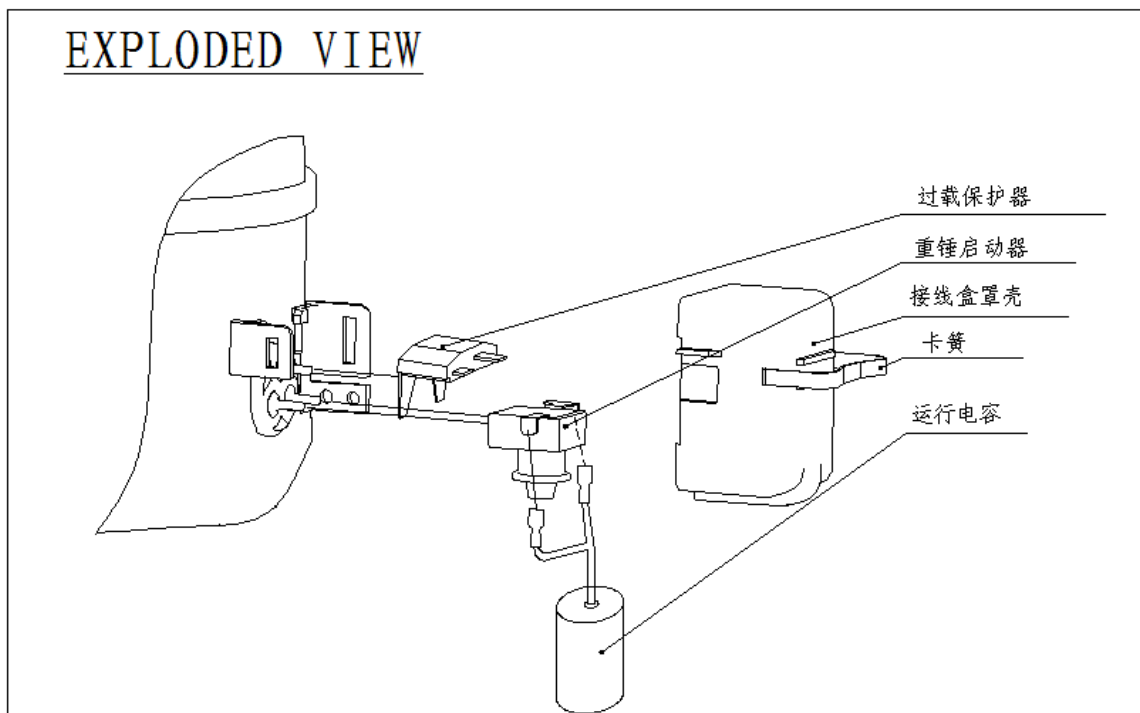
5.2 RSCR 方式接线示意图



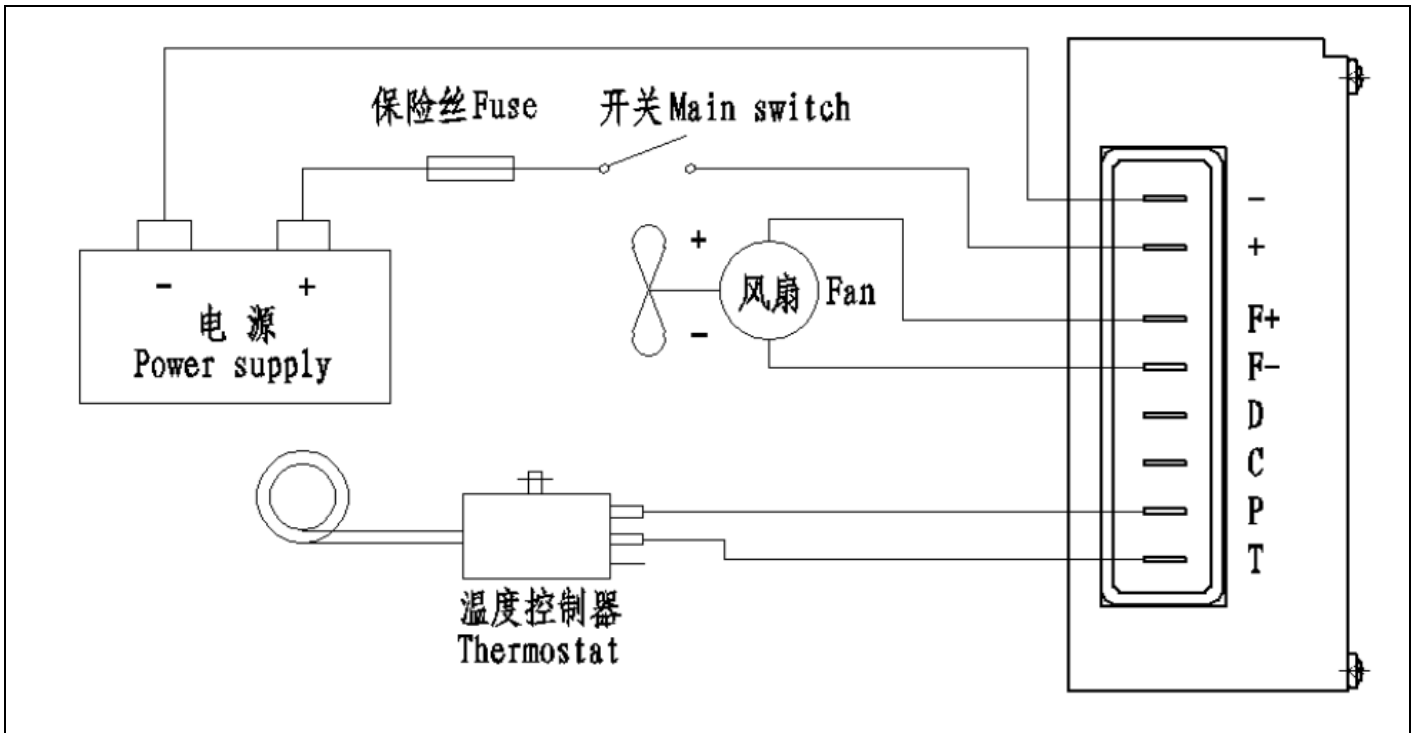
5.3 CSIR 方式接线示意图



5.4 RSCR 方式接线示意图（重锤启动器）



5.5 机械温控模式接线图（直流变频）



5.6 电子通讯模式接线图（直流变频）

